



iFS[®] Advanced Femtosecond Laser

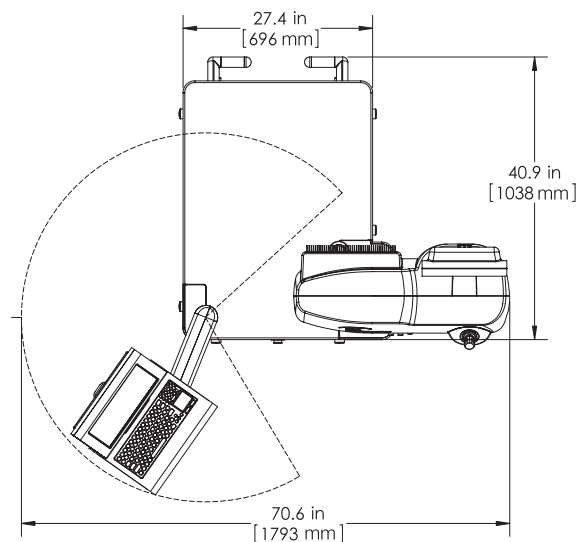
Specifications For Site Preparation/Installation

Recommended Room Requirements

- Minimum requirement: 10 ft x 10 ft (3048 mm x 3048 mm)
- Ambient temperature: 67° F to 73° F (19° C to 23° C) (stable 24 hours a day)
- Humidity requirement: Relative humidity between 35% to 65% (non-condensing)
- The line voltage should be tested upon installation to ensure proper operation and should not vary by more than $\pm 10\%$ from nominal

• Line Condition	Max Current
120 VAC, 60 Hz	7 A
100 VAC, 50 Hz to 60 Hz	10 A
220-240 VAC, 50 Hz to 60 Hz	4 A

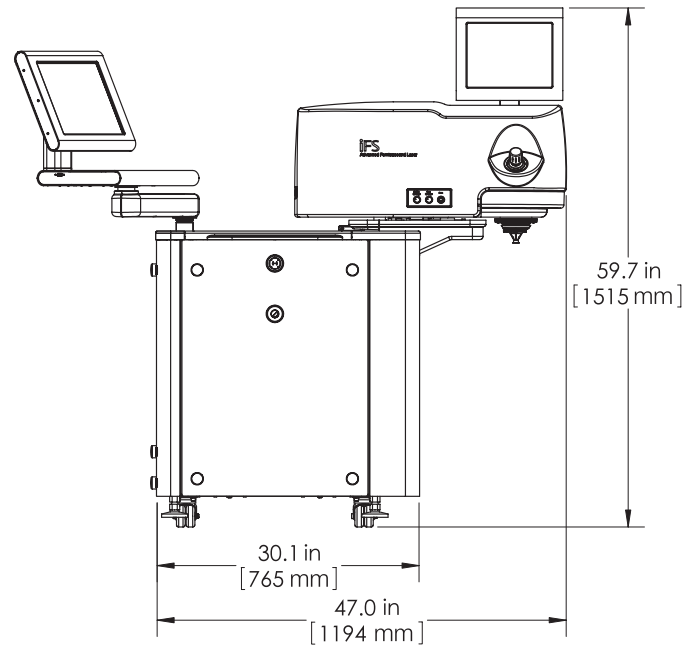
- Dedicated AC line required prior to system installation (Laser UPS on electrical line connected to one breaker at panel)
- Independent thermostat, controlling laser room only, required prior to system installation
- High-speed Internet connection with static IP address required prior to system installation



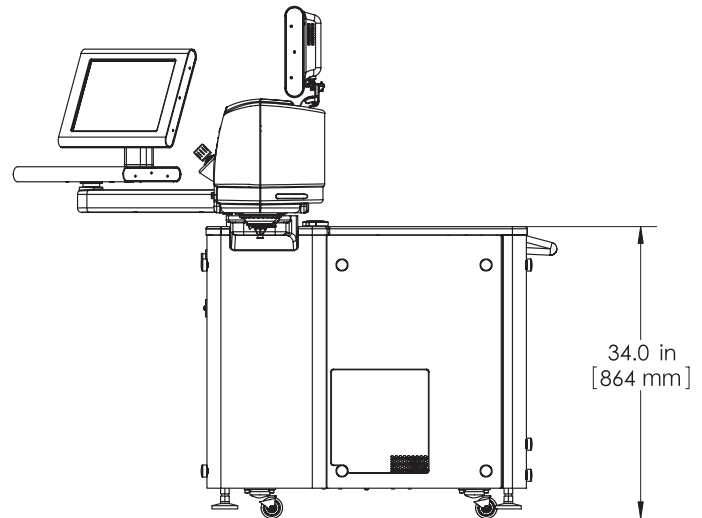
Delivery system shown in the retracted position.

System Specifications

- Dimensions and Weight:
 - Height: 60 in (152 cm)
 - Width: 47 in (119 cm)
 - Length: 41 in (104 cm)
 - Weight: 865 lbs (392 kg)
- Laser Type: Mode-locked, diode-pumped Nd: glass oscillator with a diode-pumped regenerative amplifier
- Pulse Repetition Rate: 150 kHz
- Laser Pulse Duration: 600 fs to 800 fs (± 50 fs)
- Maximum Laser Pulse Peak Power: 4.2 mW (± 0.8 mW)
- Central Laser Wavelength: 1053 nm
- Remote Interlock: Yes
- Beam Delivery Device Height:
 - Minimum 32.5 in (82.5 cm) (floor to applanation lens)
 - Maximum 42.5 in (104 cm) (floor to applanation lens)
- Chair Selection Criteria:
 - Requirements are driven by the vertical travel (Z-direction) of the Beam Delivery Device (BDD)
 - When the BDD is at its lowest point in Z-down, the height of the floor to the applanation lens is 32.5 in
 - When the BDD is at its highest point in the Z-up, the height of the floor to the applanation lens is 42.5 in



Dimensions of Console



Chassis Height

IMPORTANT SAFETY INFORMATION

CONTRAINDICATIONS: Lamellar resection for the creation of a corneal flap is contraindicated in the presence of corneal edema, corneal lesions, hypotony, glaucoma, existing corneal implant, or keratoconus.

ADVERSE EVENTS: Possible complications resulting from LASIK flap creation include swelling, inflammation or pain in your eye, infection, or flap-related complications. Mild to severe light sensitivity occurred in 1% of patients between 2 and 6 weeks after surgery. Some patients (0.03%) noticed a temporary spoke-like band of light in their peripheral vision.

CAUTION: U.S. Federal law restricts these devices to practitioners who have been trained in their calibration and operation, and who have experience in the surgical treatment and management of refractive errors. Refer to the *iFS*® Advanced Femtosecond Laser System Operator's Manual for more information on indications, contraindications, warnings and precautions.



INVISIBLE LASER RADIATION
AVOID EXPOSURE TO BEAM
400 mW at 1053 nm
PULSE DURATION: 600-800 fs
CLASS 3B LASER PRODUCT